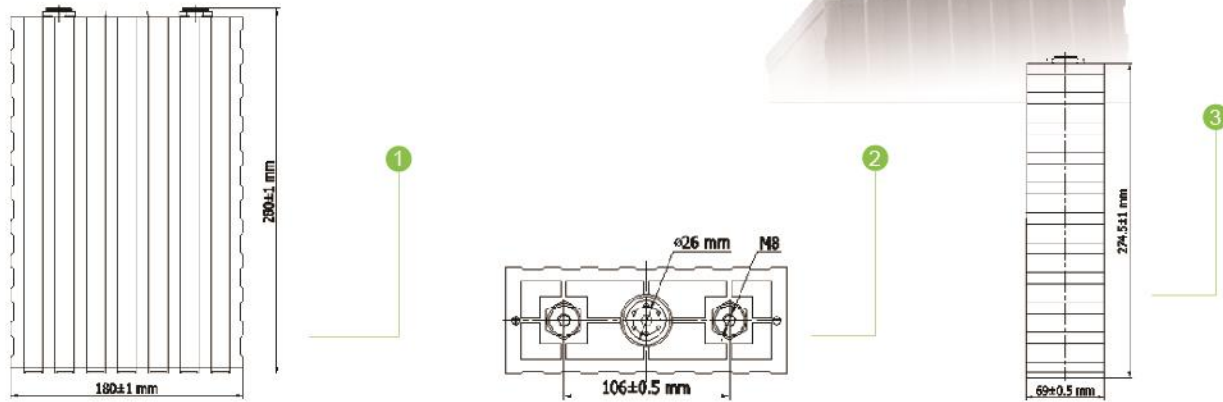


CELL TYPE

SP-LFP-200AHA



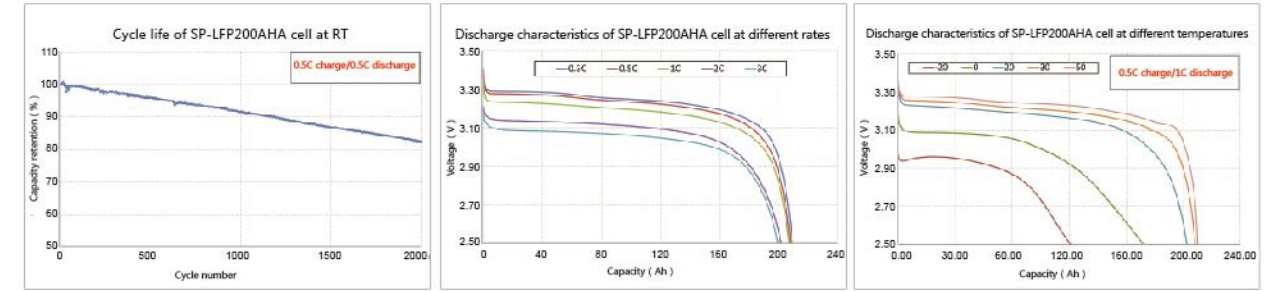
Applications :
EV, energy storage & other power source systemstem ;



Product features

- ◆ High energy density, 110wh/kg;
- ◆ Long cycle life , ≥ 2000 cycles;
- ◆ Good performance at high/low temperature;
- ◆ Excellent safety performance;
- ◆ 3C high rate continuous discharge;
- ◆ Fast charge at 1C, 95%SOC within 1h;
- ◆ Automatic production, good consistency;
- ◆ Environment-friendly;

PRODUCT CERTIFICATES



CYCLING PERFORMANCE

DIFFERENT RATE

DIFFERENT TEMPERATURE

Item	Specification	Remark
Product Model	SP-LFP-200AHA	
Nominal Capacity	200 Ah	
Nominal Voltage	3.2V	
Weight	5.8±0.2kg	
AC Impedance	≤ 0.4 mΩ	AC 1kHz
Cycle Life	≥ 2000 cycles	80%DOD, Capacity Retention≥80%
Self-discharge Rate	≤5%	25°C, 1 month
Dimension	Height	280±1
	Width	180±1.5
	Thickness	69±0.5
CC&CV Charge	Standard Current	67 A
	Max. Continues Current	1C(200A)
	Limited Voltage	3.65V
	Cut-off Current	6.7A
Discharge	Standard Current	67A
	Max. Continues Current	3C(600A)
	End Voltage	2.5 V
Operation Temperature	Charge	0°C ~ 45°C
	Discharge	-20°C ~ 55°C
Storage	-10°C ~ 45°C 25% ~ 85% RH	30% ~ 50%SOC

Contact information

Sinopoly Battery International LTD.
Email: sales@sinopolybattery.com